



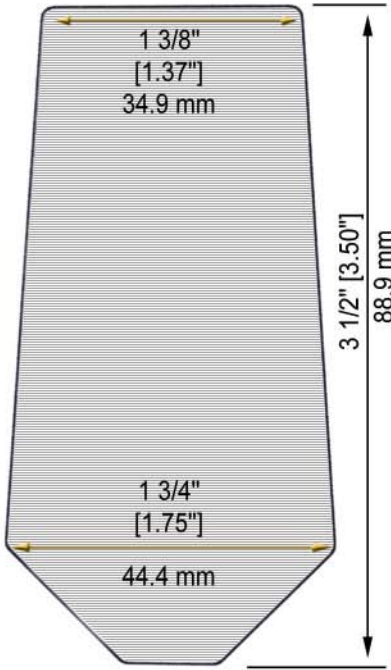
GROUSER BAR PROFILE CHART



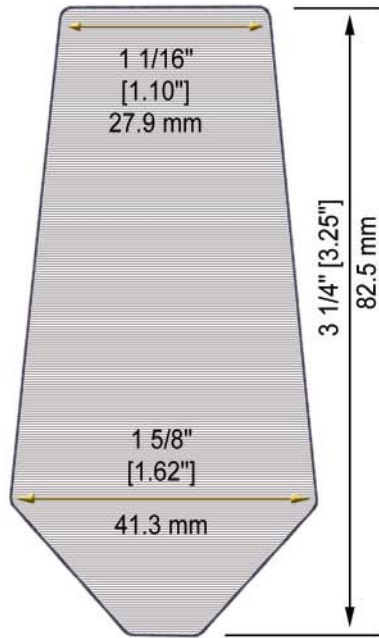
DURA-TUFF[®]

Wear Products, LLC

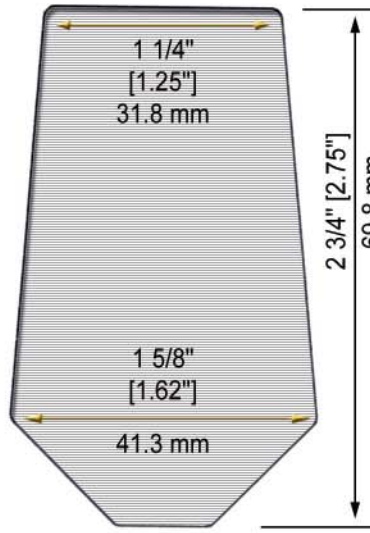
Grouser Profile Chart



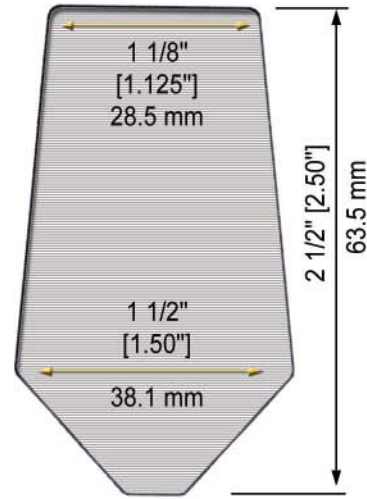
13 bar (G, E, S)
18.0 LB/FT



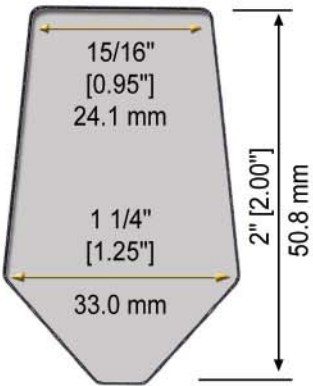
11 bar (G, E, S)
14.1 LB/FT



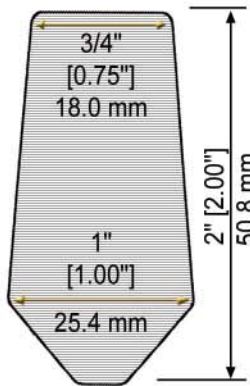
12 bar (G,E,S)
13.2 LB/FT



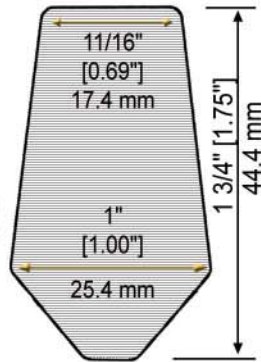
10 bar (G,E,S)
10.6 LB/FT



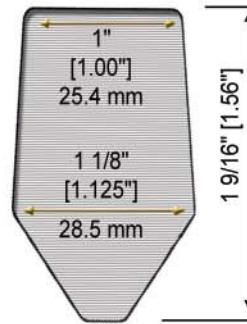
9 bar (G,E,S)
6.9 LB/FT



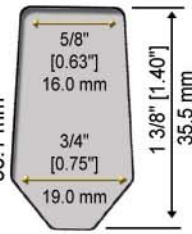
8 bar (G,E,S)
5.6 LB/FT



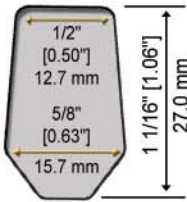
87 bar (G,E,S)
4.8 LB/FT



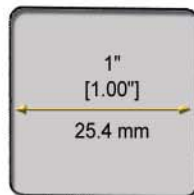
19 bar (G,E,S)
4.9 LB/FT



7 bar (G,E,S)
3.2 LB/FT



6 bar (G&E)
1.9 LB/FT



5 Bar (G&E)
3.41 LB/FT



4 Bar (G&E)
1.92 LB/FT



3 Bar (G)
1.33 LB/FT

Items listed above are available in any length from 2" (5.08 cm) to 120" (304.8 cm)
Product available in the following configurations: Straight, Curved, Forged & Beveled.

G = General Service, E = Extreme Service, S = Super Extreme Service

Property of Dura-Tuff Wear Products, LLC. All rights reserved